

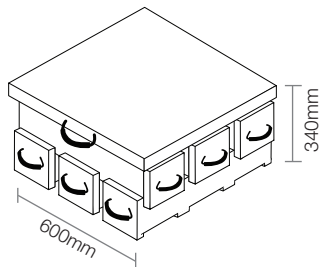
ECOCRIB 2 CRIB CONFIGURATION

BLOCK DIMENSIONS: 600x150x150mm (10.50kgs)
TOP SEALER PAD: 600x600x40-60mm (14.00kgs)

The ECOCRIB cribbing block system is designed to support and stabilise heavy equipment during a lifting/lowering operation. It's compact size means you can quickly and safely build a temporary crib to the desired height, with the flexibility of two configuration options depending on the required load capacities.

2-CRIB KIT 6

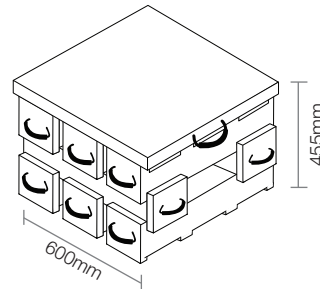
IP-72099



- 2 x 2 Crib Set-Up
- Weight 77.00kgs
- Load Capacity 30.00t
- 6 Cribbing Blocks
- 1 Top Pad (600x600x40mm)

2-CRIB KIT 8

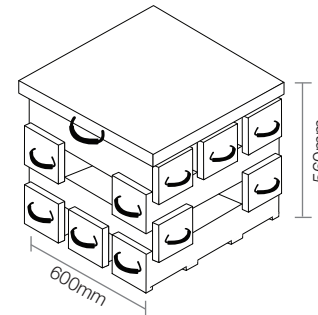
IP-72100



- 3 x 2 Crib Set-Up
- Weight 98.00kgs
- Load Capacity 34.00t
- 8 Cribbing Blocks
- 1 Top Pad (600x600x40mm)

2-CRIB KIT 10

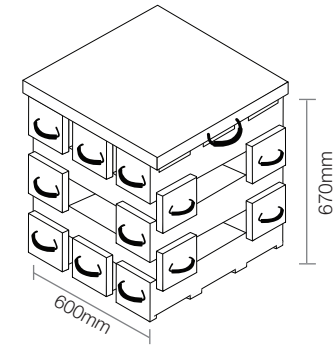
IP-72101



- 4 x 2 Crib Set-Up
- Weight 119.00kgs
- Load Capacity 38.00t
- 10 Cribbing Blocks
- 1 Top Pad (600x600x40mm)

2-CRIB KIT 12

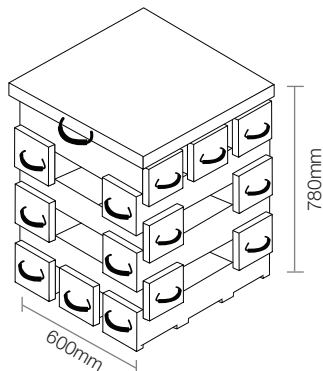
IP-72102



- 5 x 2 Crib Set-Up
- Weight 140.00kgs
- Load Capacity 42.00t
- 12 Cribbing Blocks
- 1 Top Pad (600x600x40mm)

2-CRIB KIT 14

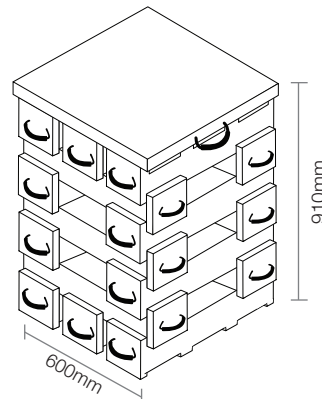
IP-72103



- 6 x 2 Crib Set-Up
- Weight 161.00kgs
- Load Capacity 46.00t
- 14 Cribbing Blocks
- 1 Top Pad (600x600x40mm)

2-CRIB KIT 16

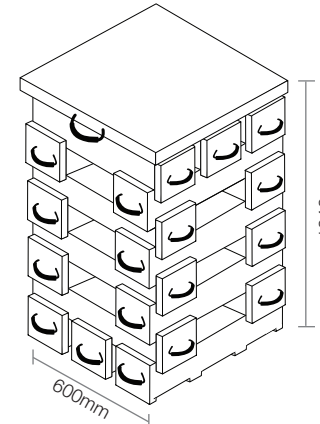
IP-72104



- 7 x 2 Crib Set-Up
- Weight 182.00kgs
- Load Capacity 50.00t
- 16 Cribbing Blocks
- 1 Top Pad (600x600x50mm)

2-CRIB KIT 18

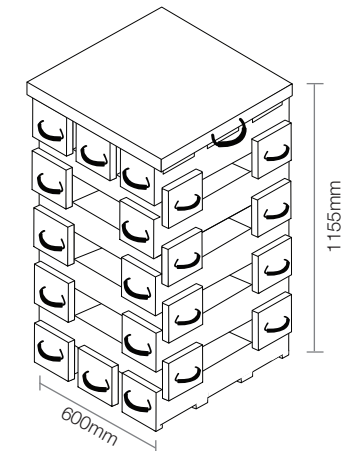
IP-72105



- 8 x 2 Crib Set-Up
- Weight 203.00kgs
- Load Capacity 54.00t
- 18 Cribbing Blocks
- 1 Top Pad (600x600x60mm)

2-CRIB KIT 20

IP-72106



- 9 x 2 Crib Set-Up
- Weight 224.00kgs
- Load Capacity 58.00t
- 20 Cribbing Blocks
- 1 Top Pad (600x600x60mm)

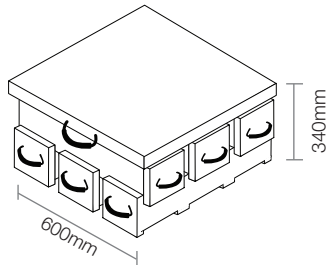
ECOCRIB 3 CRIB CONFIGURATION

BLOCK DIMENSIONS: 600x150x150mm (10.50kgs)
TOP SEALER PAD: 600x600x40-60mm (14.00kgs)

The ECOCRIB cribbing block system is designed to support and stabilise heavy equipment during a lifting/lowering operation. It's compact size means you can quickly and safely build a temporary crib to the desired height, with the flexibility of two configuration options depending on the required load capacities.

3-CRIB KIT 6

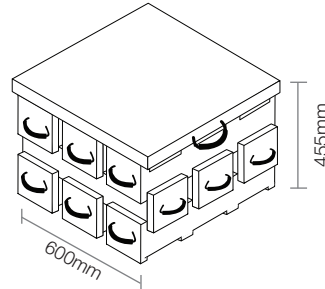
IP-72107



- 2 x 3 Crib Set-Up
- Weight 77.00kgs
- Load Capacity 30.00t
- 6 Cribbing Blocks
- 1 Top Pad (600x600x40mm)

3-CRIB KIT 9

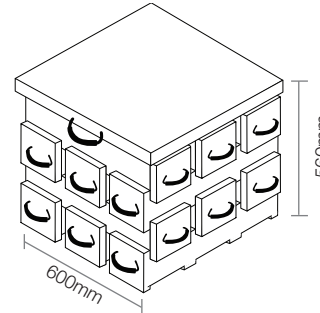
IP-72108



- 3 x 3 Crib Set-Up
- Weight 108.50kgs
- Load Capacity 40.00t
- 9 Cribbing Blocks
- 1 Top Pad (600x600x40mm)

3-CRIB KIT 12

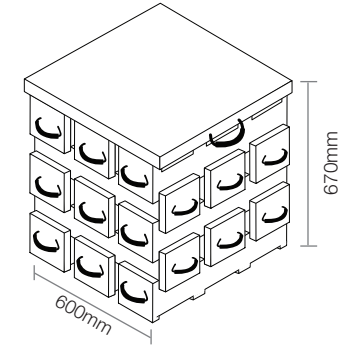
IP-72109



- 4 x 3 Crib Set-Up
- Weight 140.00kgs
- Load Capacity 50.00t
- 12 Cribbing Blocks
- 1 Top Pad (600x600x40mm)

3-CRIB KIT 15

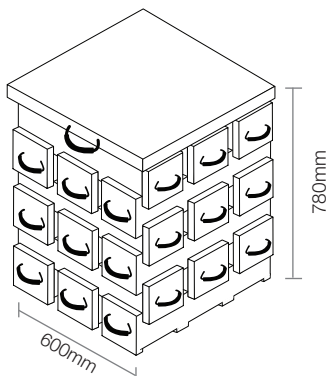
IP-72110



- 5 x 3 Crib Set-Up
- Weight 171.50kgs
- Load Capacity 60.00t
- 15 Cribbing Blocks
- 1 Top Pad (600x600x40mm)

3-CRIB KIT 18

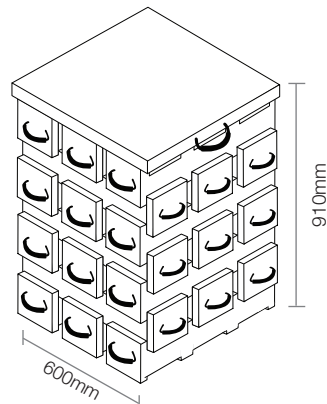
IP-72111



- 6 x 3 Crib Set-Up
- Weight 203.00kgs
- Load Capacity 70.00t
- 18 Cribbing Blocks
- 1 Top Pad (600x600x40mm)

3-CRIB KIT 21

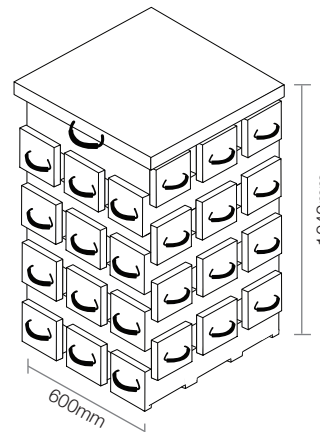
IP-72112



- 7 x 3 Crib Set-Up
- Weight 234.50kgs
- Load Capacity 80.00t
- 21 Cribbing Blocks
- 1 Top Pad (600x600x50mm)

3-CRIB KIT 24

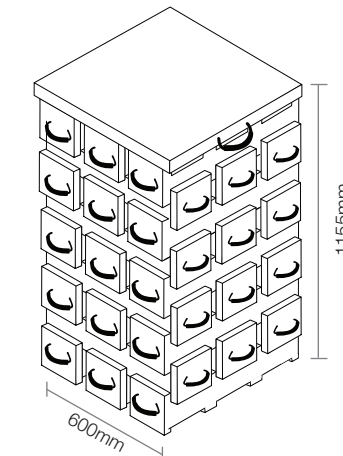
IP-72113



- 8 x 3 Crib Set-Up
- Weight 266.00kgs
- Load Capacity 100.00t
- 24 Cribbing Blocks
- 1 Top Pad (600x600x60mm)

3-CRIB KIT 27

IP-72114



- 9 x 3 Crib Set-Up
- Weight 297.50kgs
- Load Capacity 115.00t
- 27 Cribbing Blocks
- 1 Top Pad (600x600x60mm)