

# ECOSTAK PLUS CONFIGURATION SHEET



ECOSTAK PLUS 50 BLOCK DIMENSIONS: **400x400x50mm**  
 ECOSTAK PLUS 100 BLOCK DIMENSIONS: **400x400x100mm**  
 BASE BLOCK DIMENSIONS: **600x600x40mm**

The ECOSTAK PLUS is a stackable modular system designed to easily and safely assist with levelling heavy equipment and vehicles for maintenance or recovery. Available in two thicknesses, it gives you the flexibility to build to varying heights by stacking one block on top of another to achieve the desired load capacity.

## ECOSTAK PLUS 50 KIT 1



- Weight 25.23kgs
- Load Capacity 30.00t
- 1 x Ecostak 50 Jacking Block
- Base Block (600x600x40mm)

## ECOSTAK PLUS 50 KIT 2



- Weight 34.83kgs
- Load Capacity 50.00t
- 2 x Ecostak 50 Jacking Block
- Base Block (600x600x40mm)

## ECOSTAK PLUS 50 KIT 3



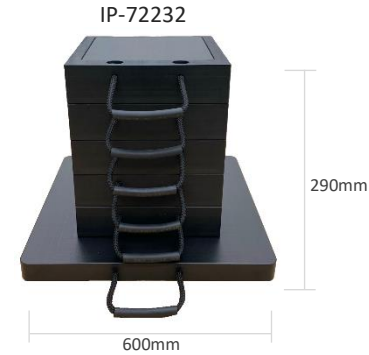
- Weight 44.43kgs
- Load Capacity 70.00t
- 3 x Ecostak 50 Jacking Block
- Base Block (600x600x40mm)

## ECOSTAK PLUS 50 KIT 4



- Weight 54.03kgs
- Load Capacity 80.00t
- 4 x Ecostak 50 Jacking Block
- Base Block (600x600x40mm)

## ECOSTAK PLUS 50 KIT 5



- Weight 63.63kgs
- Load Capacity 100.00t
- 5 x Ecostak 50 Jacking Block
- Base Block (600x600x40mm)

## ECOSTAK PLUS 100 KIT 1



- Weight 33.63kgs
- Load Capacity 40.00t
- 1 x Ecostak 100 Jacking Block
- Base Block (600x600x40mm)

## ECOSTAK PLUS 100 KIT 2



- Weight 51.63kgs
- Load Capacity 60.00t
- 2 x Ecostak 100 Jacking Block
- Base Block (600x600x40mm)

## ECOSTAK PLUS 100 KIT 3



- Weight 69.63kgs
- Load Capacity 90.00t
- 3 x Ecostak 100 Jacking Block
- Base Block (600x600x40mm)

## ECOSTAK PLUS 100 KIT 4



- Weight 87.63kgs
- Load Capacity 110.00t
- 4 x Ecostak 100 Jacking Block
- Base Block (600x600x40mm)

## ECOSTAK PLUS 100 KIT 5



- Weight 105.63kgs
- Load Capacity 130.00t
- 5 x Ecostak 100 Jacking Block
- Base Block (600x600x40mm)

# ECOSTAK PLUS CONFIGURATION SHEET



ECOSTAK PLUS 50 BLOCK DIMENSIONS: **400x400x50mm**  
 ECOSTAK PLUS 100 BLOCK DIMENSIONS: **400x400x100mm**  
 BASE BLOCK DIMENSIONS: **600x600x40mm**

The ECOSTAK PLUS is a stackable modular system designed to easily and safely assist with levelling heavy equipment and vehicles for maintenance or recovery. Available in two thicknesses, it gives you the flexibility to build to varying heights by stacking one block on top of another to achieve the desired load capacity.

## ECOSTAK PLUS MIX KIT 1



- Weight 43.23kgs
- Load Capacity 50.00t
- 1 x Ecostak 50 Jacking Block
- 1 x Ecostak 100 Jacking Block
- Base Block (600x600x40mm)

## ECOSTAK PLUS MIX KIT 2



- Weight 62.43kgs
- Load Capacity 80.00t
- 3 x Ecostak 50 Jacking Block
- 1 x Ecostak 100 Jacking Block
- Base Block (600x600x40mm)

## ECOSTAK PLUS MIX KIT 3



- Weight 88.83kgs
- Load Capacity 110.00t
- 2 x Ecostak 50 Jacking Block
- 3 x Ecostak 100 Jacking Block
- Base Block (600x600x40mm)

## ECOSTAK PLUS MIX KIT 4



- Weight 99.63kgs
- Load Capacity 145.00t
- 5 x Ecostak 50 Jacking Block
- 2 x Ecostak 100 Jacking Block
- Base Block (600x600x40mm)

## ECOSTAK PLUS MIX KIT 5



- Weight 142.83kgs
- Load Capacity 150.00t
- 2 x Ecostak 50 Jacking Block
- 6 x Ecostak 100 Jacking Block
- Base Block (600x600x40mm)